

**PROCESSOR**  
252 SHEET 3  
**DSP AUDIO**

**RECEIVER**  
246 GND RX-ANT SHEET 2

**SYNTH-VCO**  
2922 GND

VCO sheet 6

**POWER-AMP**  
5881 GND RX-ANT SHEET 7

Interface PCB

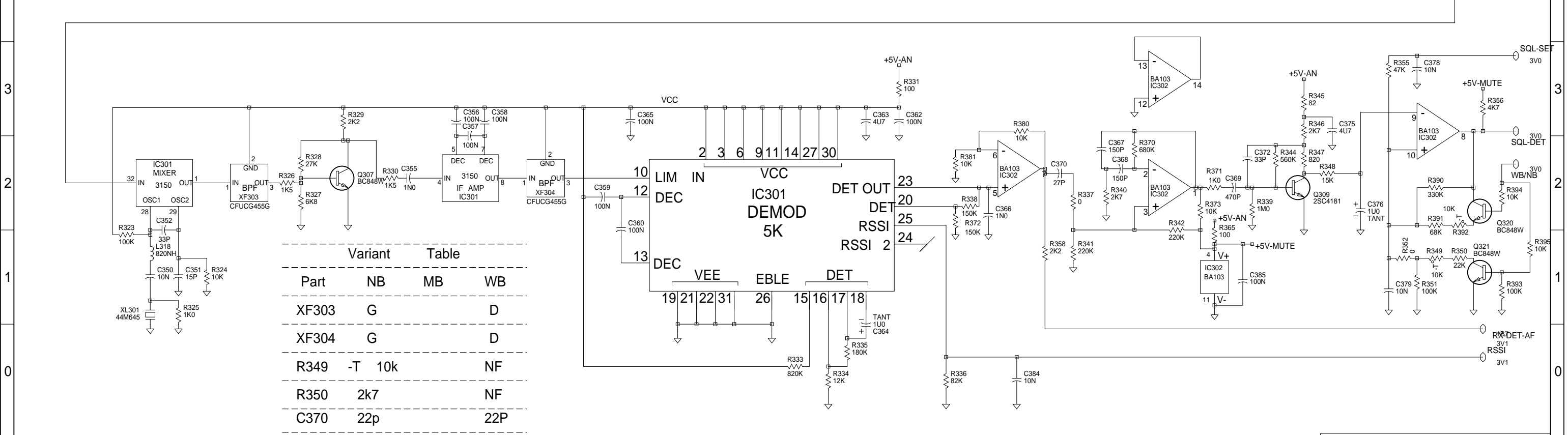
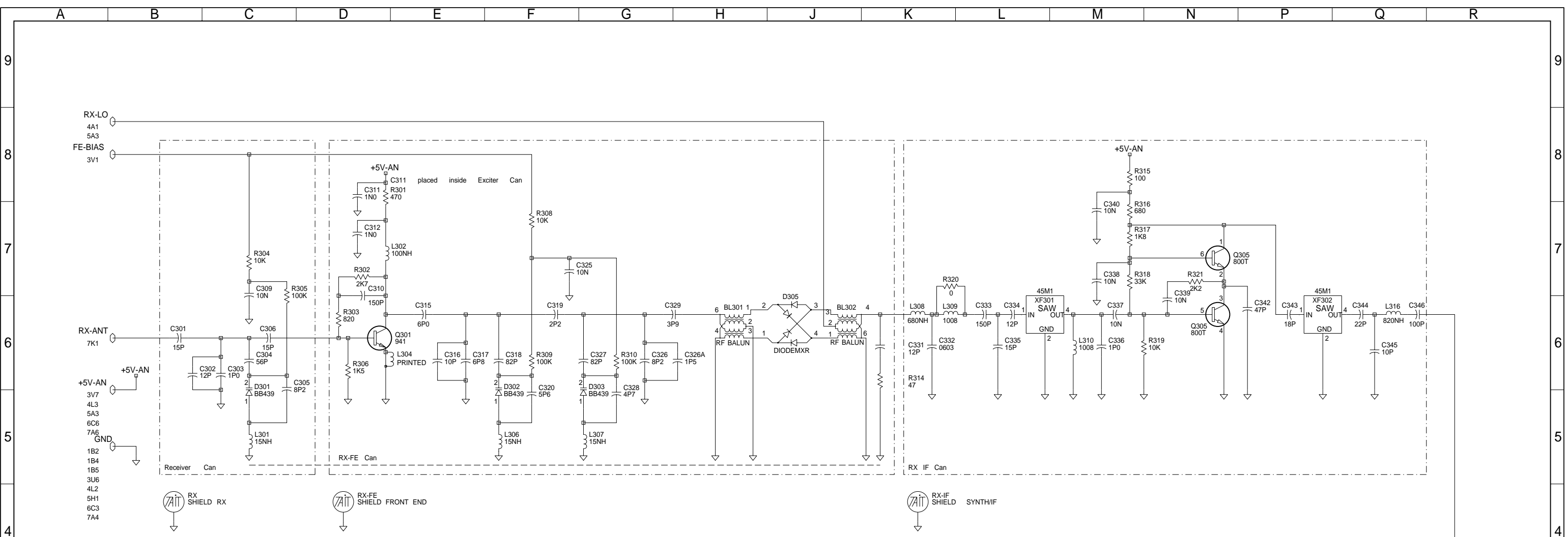
Accessory Connector

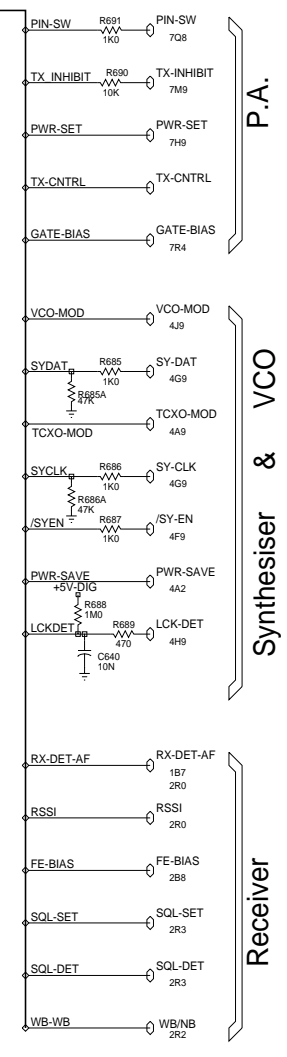
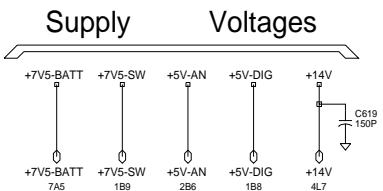
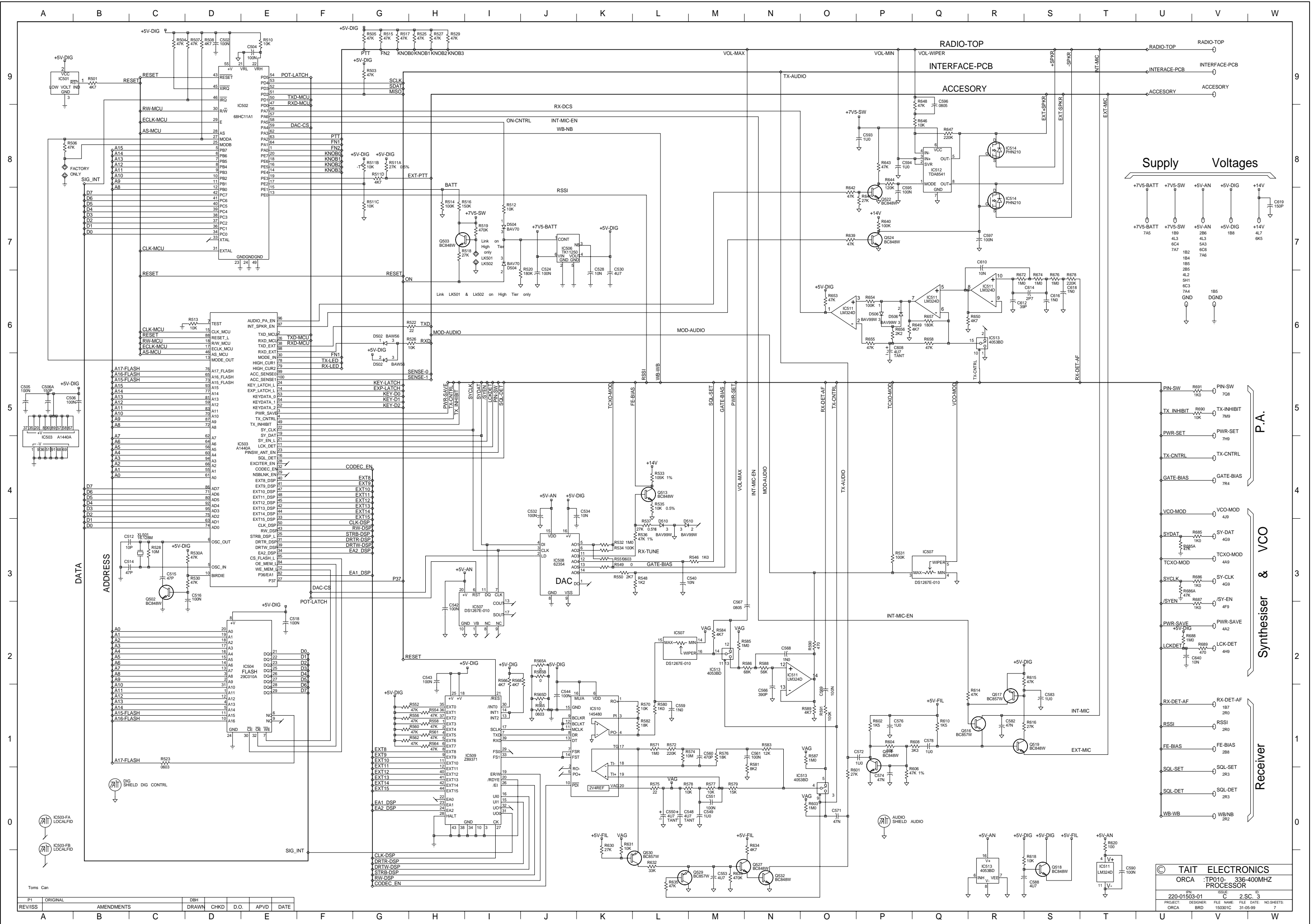


01C	CHANGED PASTE TO SMALL TCXO	BRD				31-05-99
01B	500185 ROTATED C364 180 DEG TANT	BRD				05-03-99
08	UPDATED MUTE CIRCUITRY	DBH				
REV/ISS	AMENDMENTS	DRAWN	CHKD	D.O.	APVD	DATE

© TAIT ELECTRONICS	
ORCA :TP010-	336-400MHZ
SYSTEM DIAGRAM	
IPN: 220-01503-01	ISSUE: C 2.S.C. 1
PROJECT: ORCA	DESIGNER: BRD
FILE NAME: 150301C	FILE DATE: 31-05-99
NO SHEETS: 7	

Sub UHF

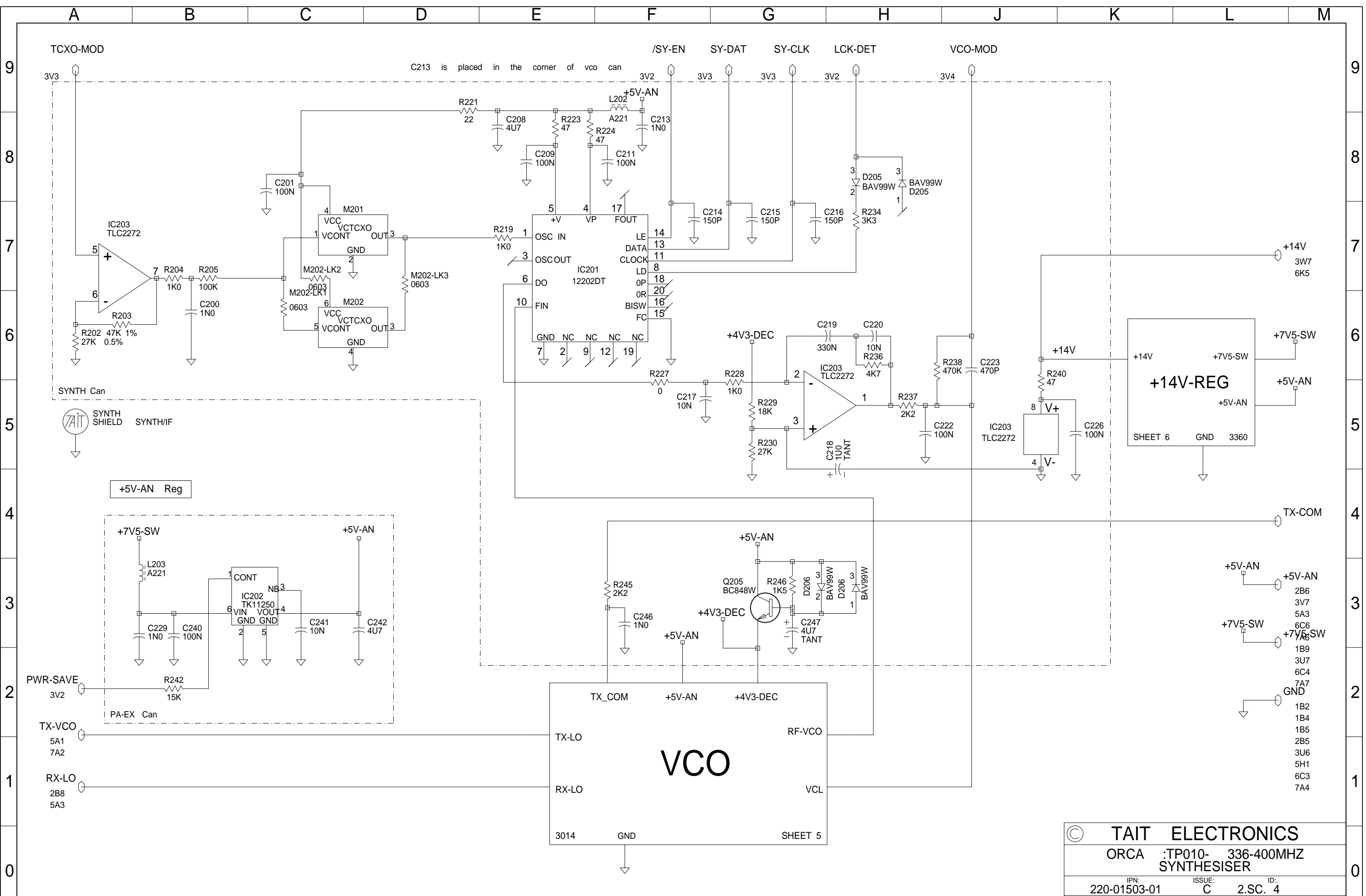




© TAIT ELECTRONICS  
 ORCA :TP010- 336-400MHZ  
 PROCESSOR  
 220-01503-01 C 2 SC 3  
 PROJECT: DESIGNER: FILE NAME: FILE DATE: NO SHEETS:  
 ORCA BRD 150301C 31-05-99 7

REV/ISS	ORIGINAL	AMENDMENTS	DRAWN	CHKD	D.O.	APVD	DATE
P1			DBH				

Toms Can



© TAIT ELECTRONICS	
ORCA :TP010- 336-400MHZ SYNTHESISER	
IPN: 220-01503-01	ISSUE: C
PROJECT: ORCA	DESIGNER: BRD
FILE NAME: 150301C	FILE DATE: 31-05-99
NO. SHEETS: 7	ID: 2.SC. 4

REV/ISS	AMENDMENTS	DRAWN	CHKD	D.O.	APVD	DATE

**VCO**

3014 GND SHEET 5

TX-LO TX-COM +5V-AN +4V3-DEC RF-VCO VCL RX-LO

**+14V-REG**

SHEET 6 GND 3360

+14V +7V5-SW +5V-AN

+5V-AN Reg

**PA-EX Can**

IC202 TK11250

CONT NB 3 VOUT 4 VIN 2 GND GND

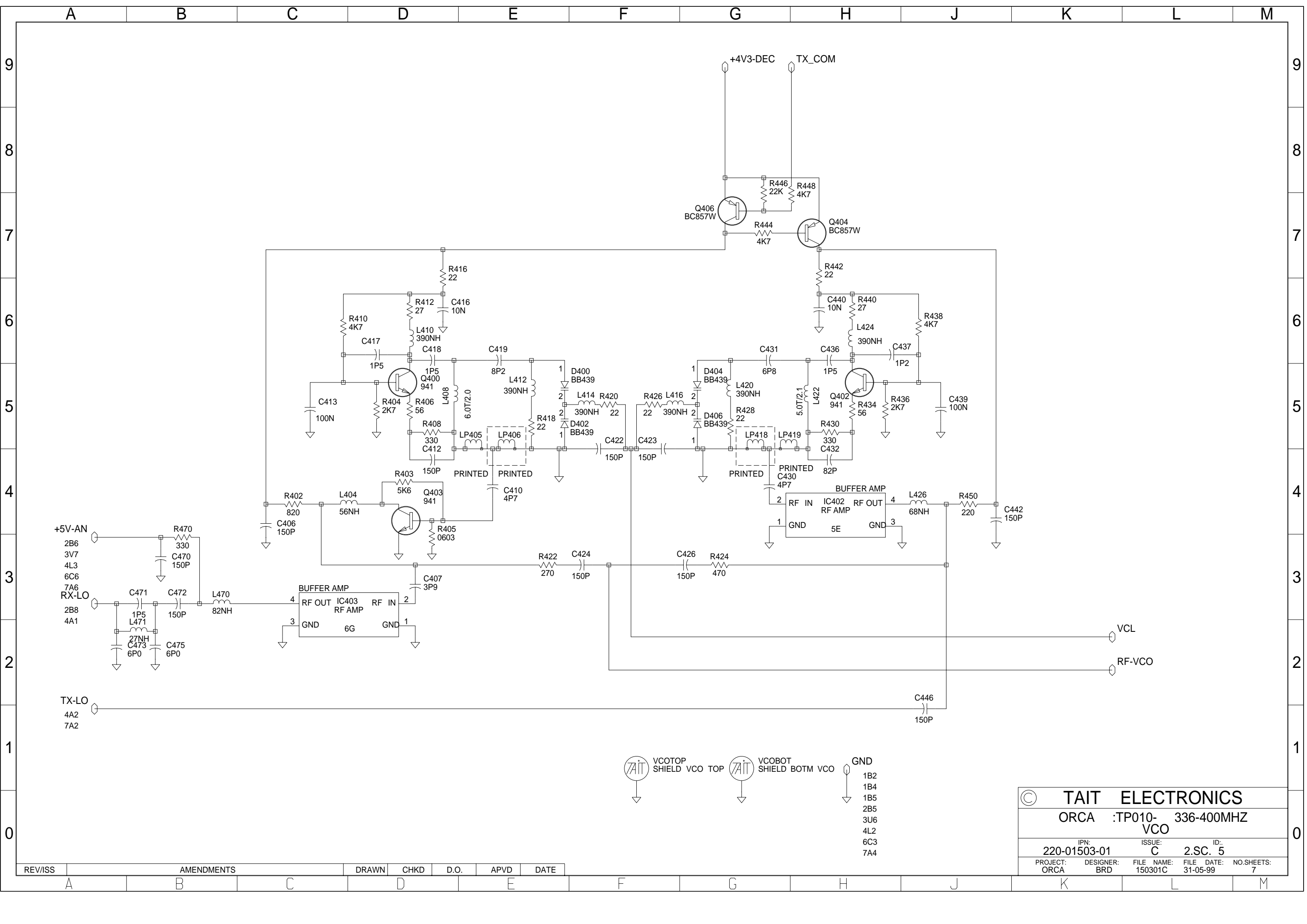
+7V5-SW +5V-AN

L203 A221 C229 1N0 C240 100N R242 15K C241 10N C242 4U7

**SYNTH Can**

SYNTH SHIELD SYNTH/IF

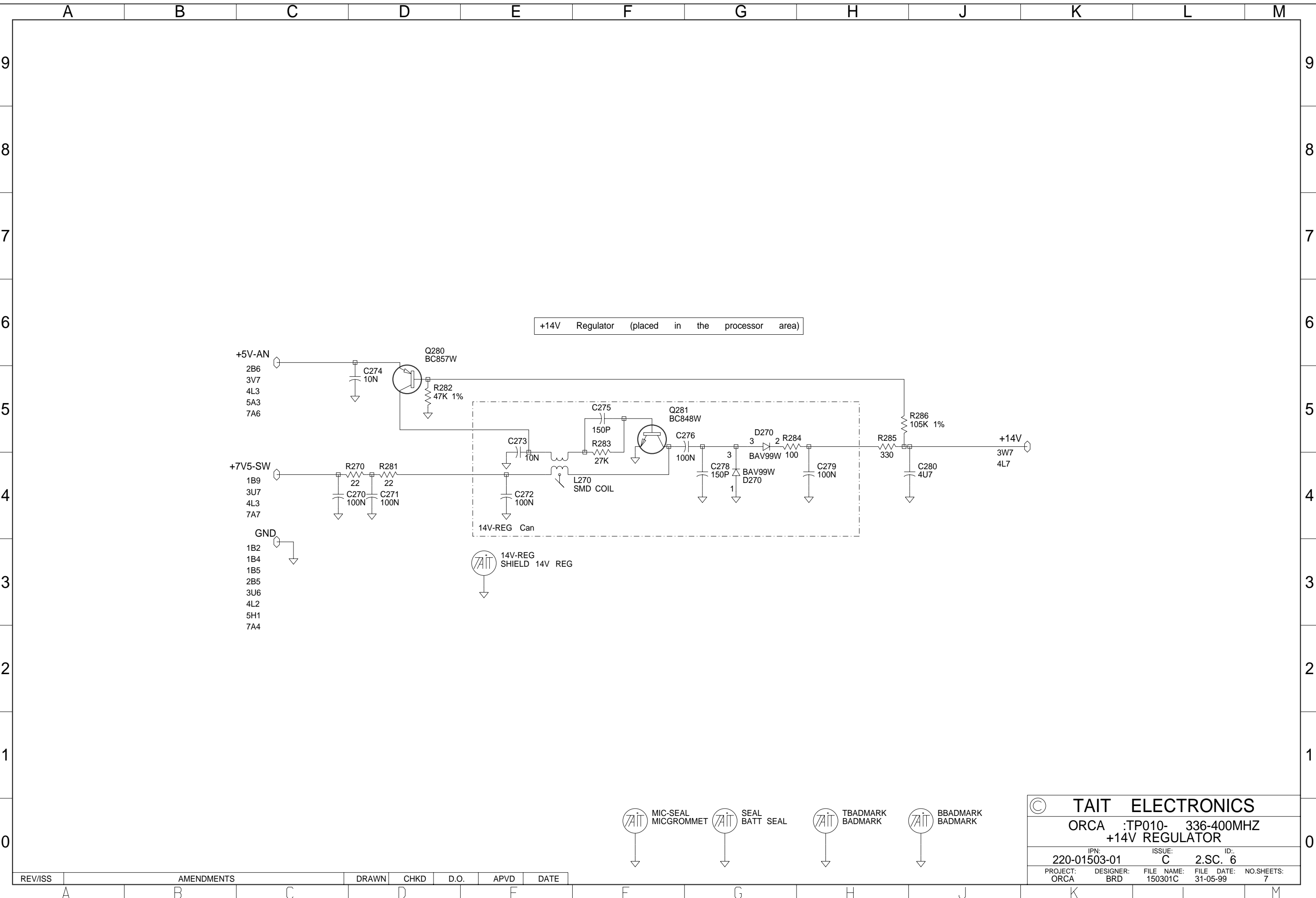
C213 is placed in the corner of vco can



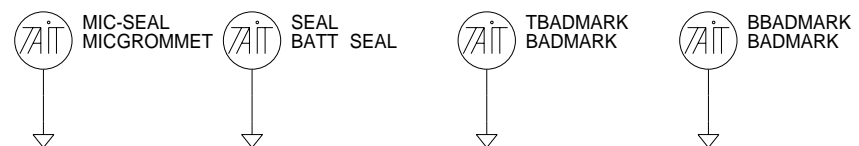
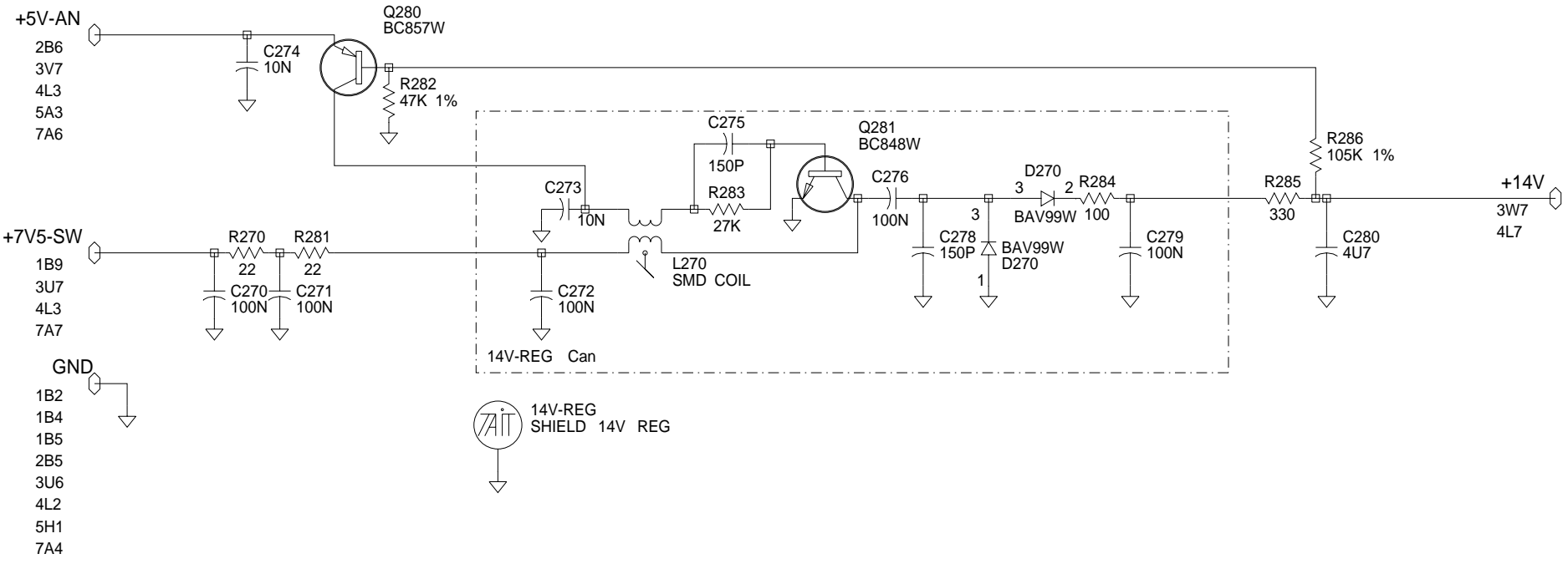
© TAIT ELECTRONICS  
 ORCA :TP010- 336-400MHZ  
 VCO  
 IPN: 220-01503-01 ISSUE: C ID: 2.SC. 5  
 PROJECT: ORCA DESIGNER: BRD FILE NAME: 150301C FILE DATE: 31-05-99 NO.SHEETS: 7

REV/ISS	AMENDMENTS	DRAWN	CHKD	D.O.	APVD	DATE

- VCOTOP SHIELD VCO TOP
- VCOBOT SHIELD BOTM VCO
- GND
- 1B2
- 1B4
- 1B5
- 2B5
- 3U6
- 4L2
- 6C3
- 7A4

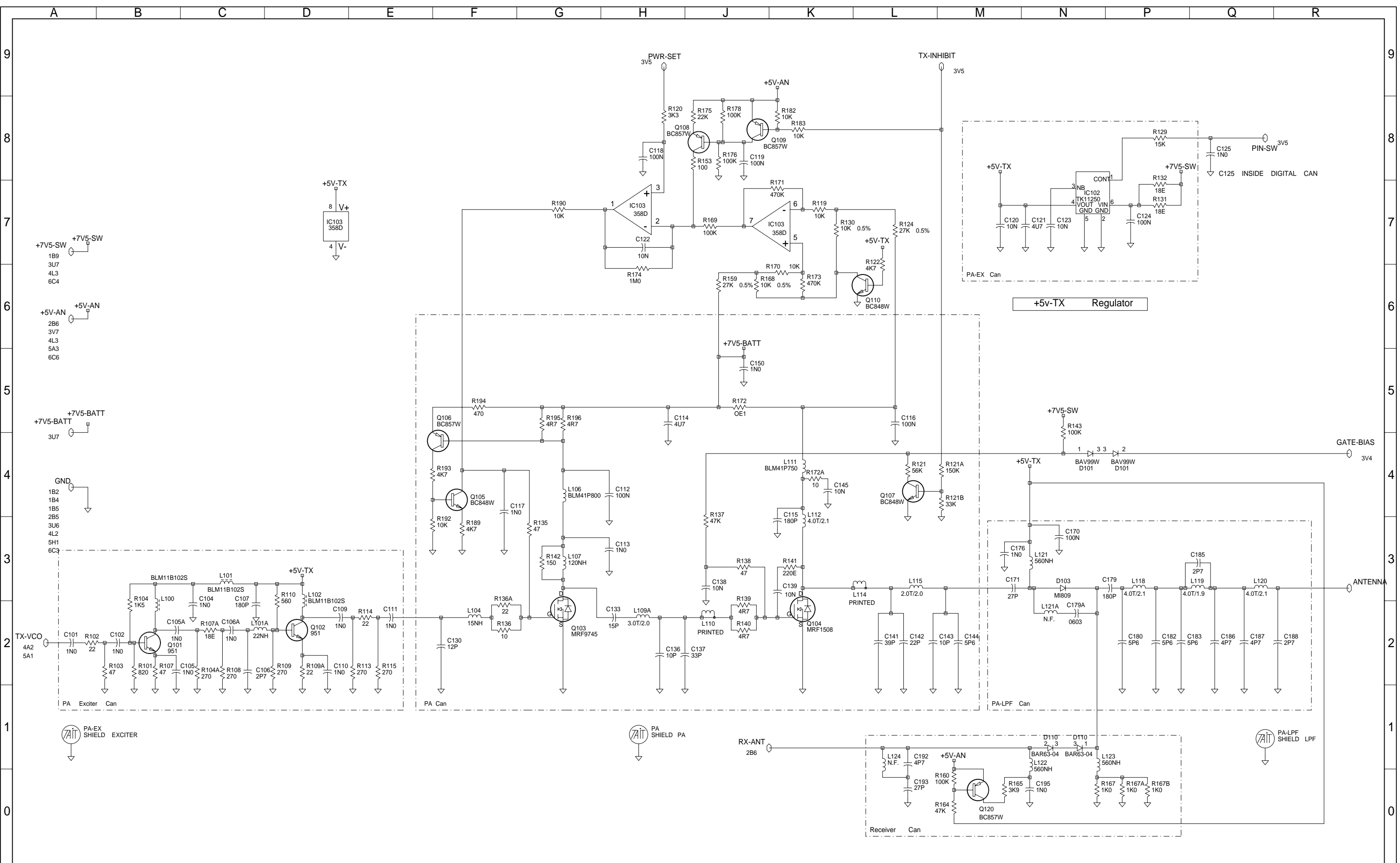


+14V Regulator (placed in the processor area)



© TAIT ELECTRONICS				
ORCA :TP010- 336-400MHZ +14V REGULATOR				
IPN:	ISSUE:	ID:		
220-01503-01	C	2.SC. 6		
PROJECT:	DESIGNER:	FILE NAME:	FILE DATE:	NO.SHEETS:
ORCA	BRD	150301C	31-05-99	7

REV/ISS	AMENDMENTS	DRAWN	CHKD	D.O.	APVD	DATE
---------	------------	-------	------	------	------	------



© TAIT ELECTRONICS  
 ORCA :TP010- 336-400MHZ  
 LOWCOST T3010

IPN: 220-01503-01	ISSUE: C	ID: 2.S.C. 7
PROJECT: ORCA	DESIGNER: BRD	FILE NAME: 150301C
	FILE DATE: 31-05-99	NO.SHEETS: 7

03A						
REV/ISS	AMENDMENTS	DRAWN	CHKD	D.O.	APVD	DATE